

Southampton Shopping Center

466 Second Street Pike - Southampton, PA 18966

±1,300 - 3,060 SF Available For Lease



Questions? Contact Us.

Greg Jones

GJones@jcbarprop.com
p. 610-234-6491
c. 484-948-5217

Rob Gothier, III

rg3@jcbarprop.com
p. 717-296-1800
c. 717-712-4601

Colin Hodgson

CHodgson@jcbarprop.com
p. 717-761-7801
c. 717-761-7813

Southampton Shopping Center

466 Second Street Pike - Southampton, PA 18966

±1,300 - 3,060 SF Available For Lease

Highlights

- Giant anchored shopping center with fantastic co-tenancy
- Conveniently located half mile from Pennsylvania Turnpike (95,455 AADT)
- Floor plans ranging from 1,300 - 3,060 SF available
- 62,164 residents within 3 miles
- GLA: 150,847

JOIN



Demographic	1 Mile	3 Miles	5 Miles
Population	7,356	62,164	213,482
Households	2,977	23,974	83,417
Avg HH Income	\$128,706	\$152,379	\$142,394
Daytime Employees	8,145	30,059	110,377



±150,847 SF
Gross Leasable Area



±16.75 AC
Land Size Area



89%
Occupancy



821
Parking Spaces

Questions? Contact Us.

Greg Jones
GJones@jcbarprop.com
p. 610-234-6491
c. 484-948-5217

Rob Gothier, III
rg3@jcbarprop.com
p. 717-296-1800
c. 717-712-4601

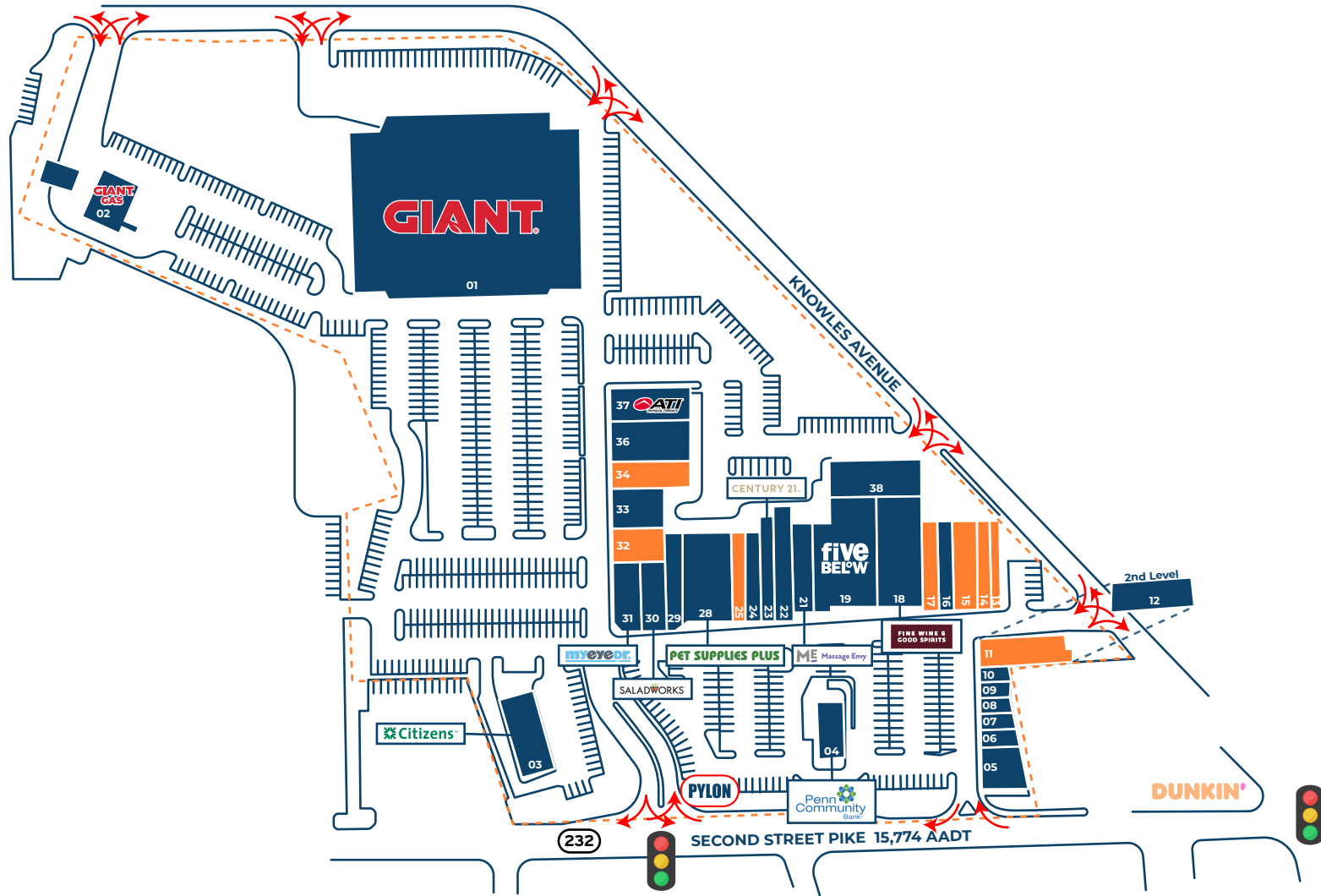
Colin Hodgson
CHodgson@jcbarprop.com
p. 717-761-7801
c. 717-761-7813

Southampton Shopping Center

466 Second Street Pike - Southampton, PA 18966



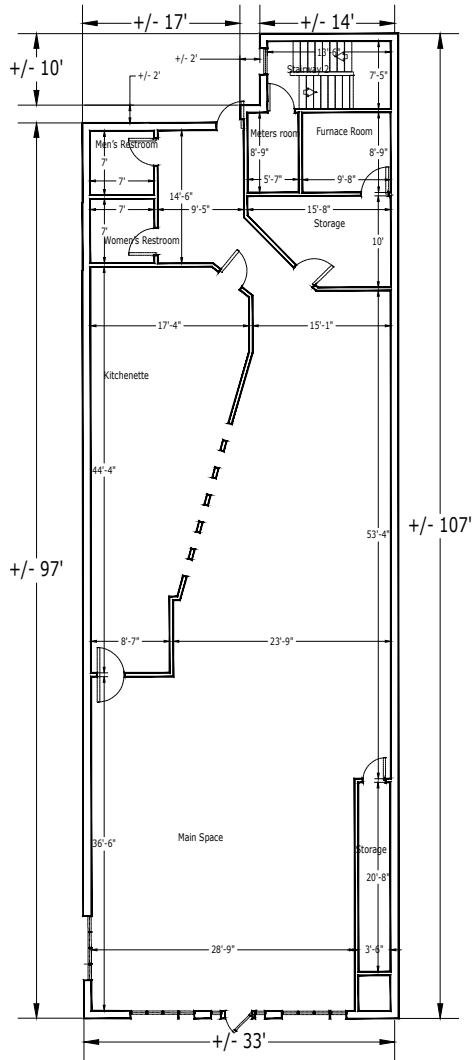
Unit	Tenant	Square Footage
01	Giant	±59,892 SF
02	Giant Gas	±3,100 SF
03	Citizen's Bank	±3,666 SF
04	Penn Community Bank	±2,415 SF
05	Robin Hood Restaurant	±2,690 SF
06	Jewels by Alex	±600 SF
07	AC Rehab Products	±600 SF
08	American News and Tobacco	±600 SF
09	Threading the City	±600 SF
10	Barber 777 Shop	±600 SF
11	AVAILABLE	±3,060 SF
12	Management Office	±3,500 SF
13	AVAILABLE	±1,600 SF
14	AVAILABLE	±1,500 SF
15	AVAILABLE	±3,000 SF
16	Osaka Sushi Bar	±2,000 SF
17	AVAILABLE	±2,000 SF
18	Wine and Spirits	±6,920 SF
19	Five Below	±8,941 SF
21	Massage Envy	±3,000 SF
22	2nd Street Bagels	±2,000 SF
23	Century 21	±2,160 SF
24	Roman Delight	±2,000 SF
25	AVAILABLE	±1,600 SF
28	Pet Supplies Plus	±6,000 SF
29	Flowersome	±2,000 SF
30	Saladworks	±2,800 SF
31	MyEyeDr.	±2,800 SF
32	AVAILABLE	±1,300 SF
33	Tip N Toe Spa	±1,400 SF
34	AVAILABLE	±2,700 SF
36	House of Pho and Taiko Bistro	±5,400 SF
37	ATI Physical Therapy	±3,150 SF
38	Quaint Oak Bank	±5,263 SF
	Total SF	±150,847 SF



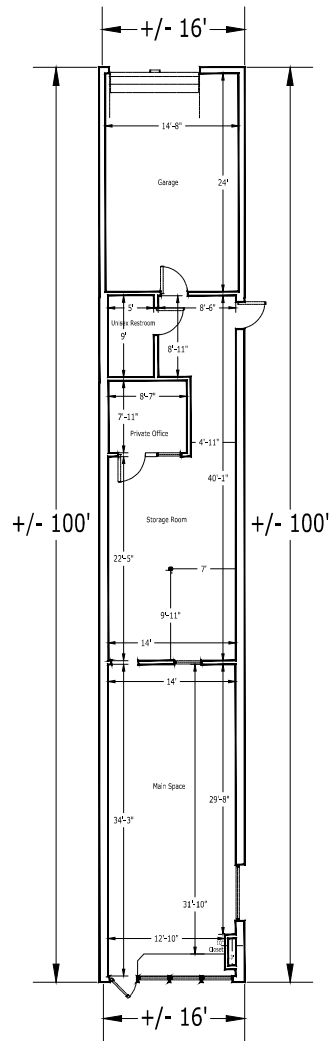
Site Plan

REAR

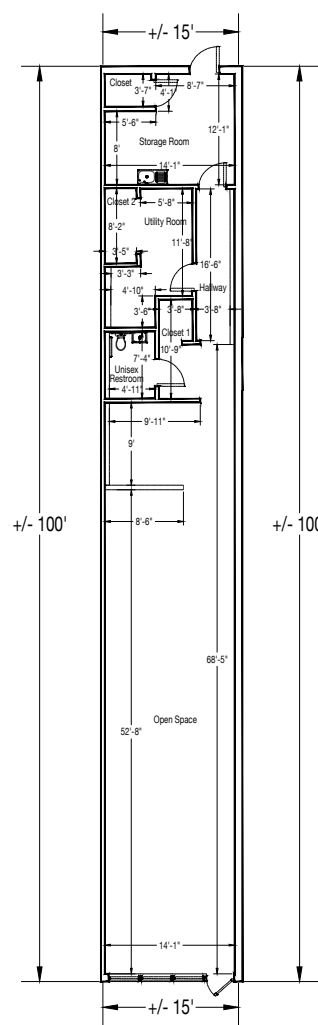
Unit 11



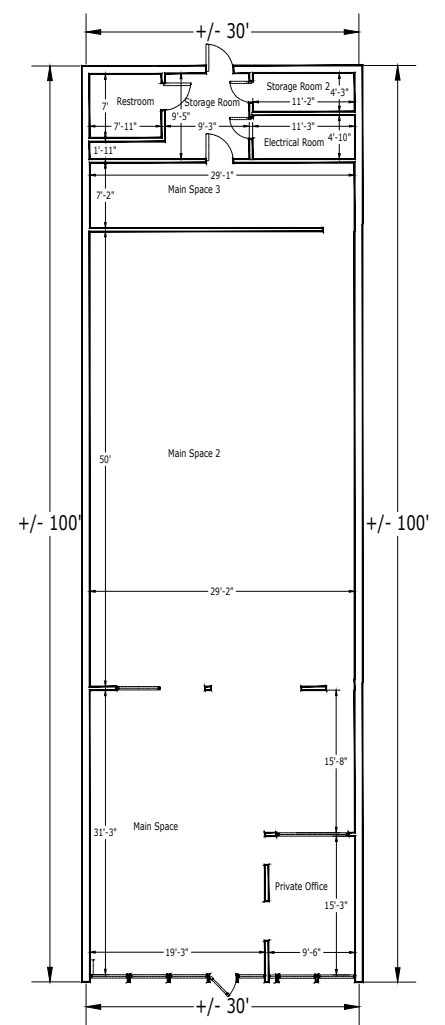
Unit 13



Unit 14



Unit 15



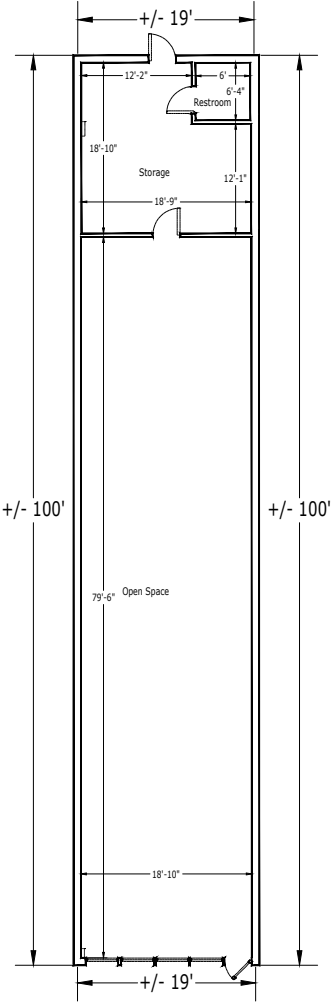
FRONT

NOT TO SCALE

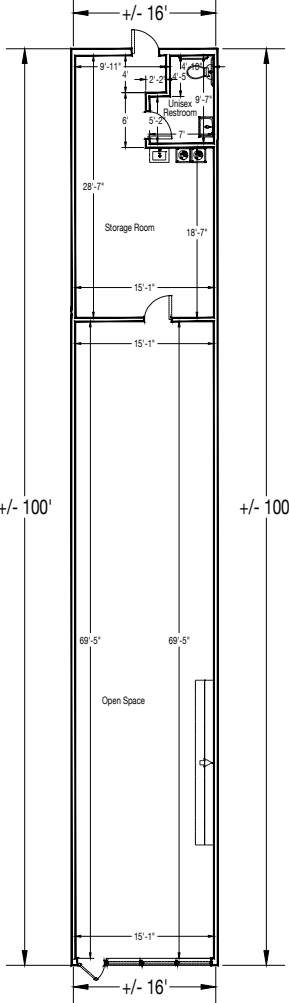
Floor Plans

REAR

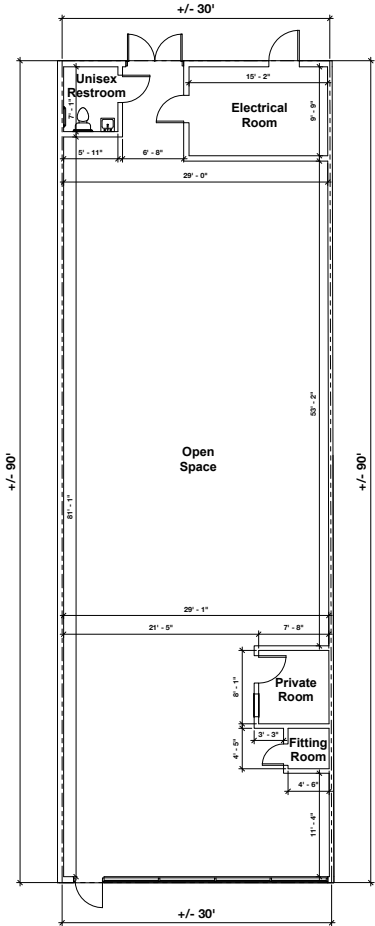
Unit 17



Unit 25



Unit 34



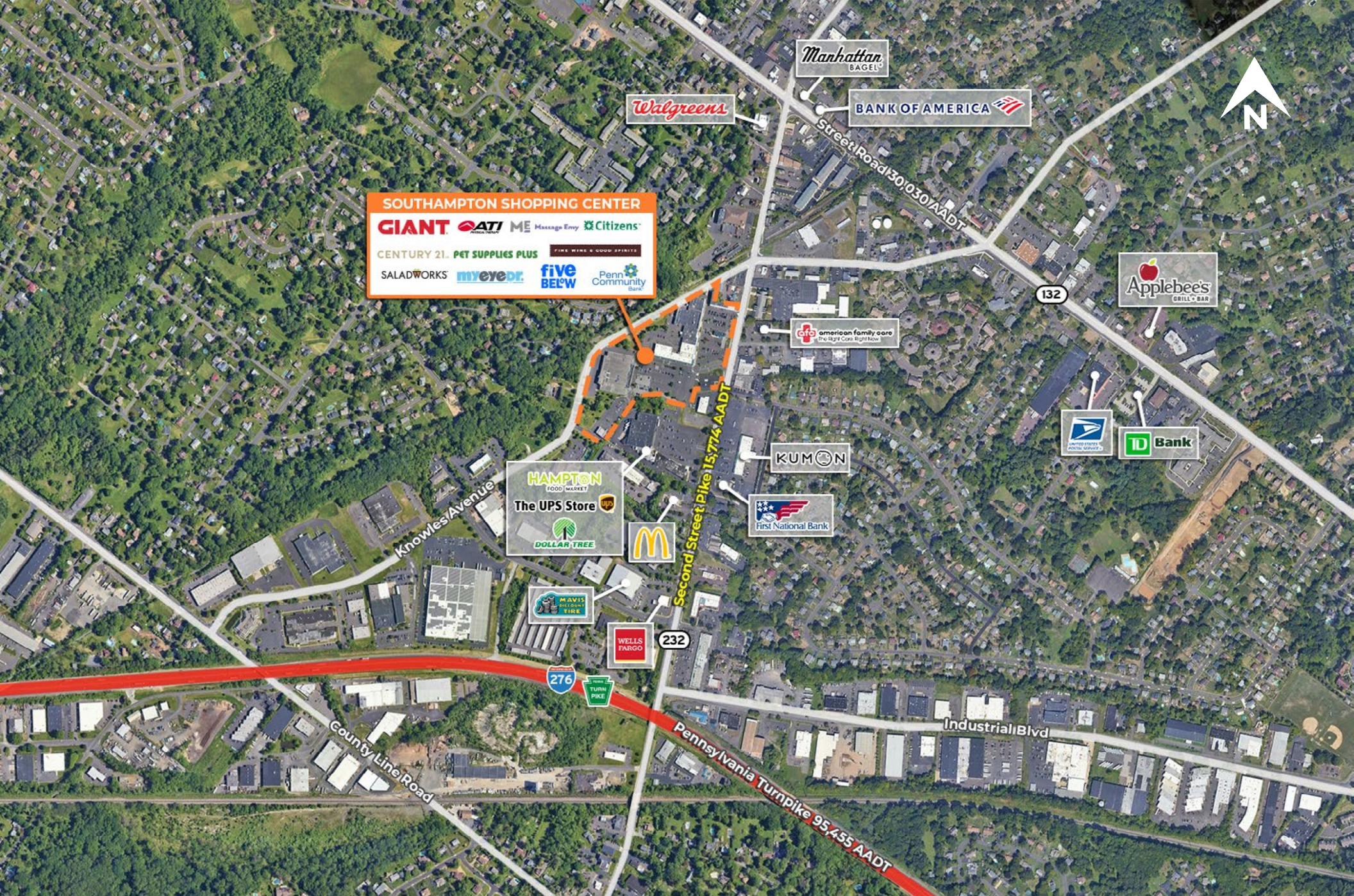
FRONT

NOT TO SCALE

Floor Plans



Zoom Aerial



Local Aerial



Market Aerial